



ICR803-A0271

ICR80x

IMAGE-BASED CODE READERS

SICK
Sensor Intelligence.



Ordering information

Type	Part no.
ICR803-A0271	6034212

Other models and accessories → www.sick.com/ICR80x



Detailed technical data

Features

Version	Smart Focus
Connection type	USB
Reading field	Front
Focus	Fixed focus
Focus position	115 mm
Sensor	752 x 480 px
Light source	Visible red light (LED lighting, 630 nm) Visible green light (LED aiming line, 530 nm)
Code resolution	≥ 0.19 mm ¹⁾ ≥ 0.25 mm ²⁾
Reading distance	60 mm ... 160 mm ^{1) 3)}

¹⁾ 1D.

²⁾ 2D.

³⁾ For details see reading field diagram.

Performance

Readable code structures	1D, 2D, Stacked
Bar code types	Codabar, Code 39, Interleaved 2 of 5, Code 93, Code 128, UPC / GTIN / EAN, RSS, Codablock F, Post (only SR/SF): Postnet, Planet Code, Royal Mail, Canada Post (PostBar), Japan Post, KIX (Royal Dutch TPG Post)
2D code types	MaxiCode, Data Matrix, QR code, Aztec, Aztec Mesas, Code 49 and EAN • UCC Composite
OCR/OCV fonts	OCR-A, OCR-B
Image capture	BMP, JPEG, TIFF

Interfaces

Ethernet TCP/IP	✓
Type of fieldbus integration	Optional via external connection module CDM + CMF
CAN	✓
Type of fieldbus integration	Optional via external connection module CAN232
PROFIBUS DP	✓
Type of fieldbus integration	Optional over external fieldbus module CDF600-2
DeviceNet™	✓

Type of fieldbus integration	Optional via external connection module CDM + CMF
USB	✓
Function	Keyboard wedge, COM-Port emulation
Acoustic indicators	Beeper (can be switched off, to confirm reading)

Mechanics/electronics

Operating voltage	≤ 5 V DC
Housing	Plastic
Housing color	Light blue (RAL 5012)
Weight	37 g
Dimensions (L x W x H)	49 mm x 40 mm x 25 mm

Ambient data

Ambient operating temperature	0 °C ... +50 °C
Storage temperature	-20 °C ... +60 °C

General notes

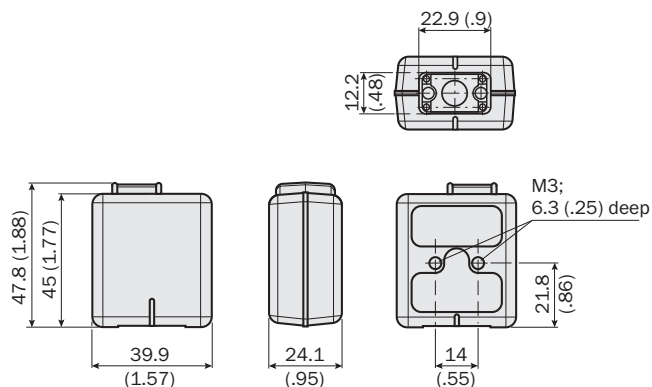
Note	For setting-up operation ia a connection cable and if necessary a power supply unit is additionally required.
-------------	---

Classifications

ECI@ss 5.0	27280103
ECI@ss 5.1.4	27280103
ECI@ss 6.0	27280103
ECI@ss 6.2	27280103
ECI@ss 7.0	27280103
ECI@ss 8.0	27280103
ECI@ss 8.1	27280103
ECI@ss 9.0	27280103
ETIM 5.0	EC002550
ETIM 6.0	EC002550
UNSPSC 16.0901	43211701

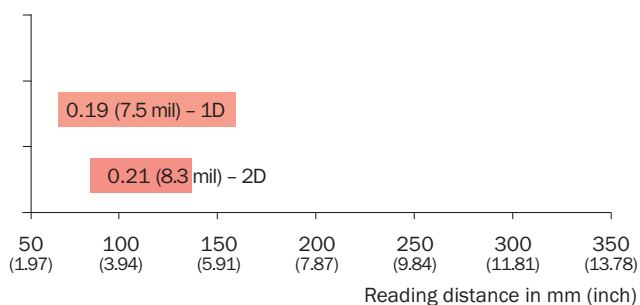
Dimensional drawing (Dimensions in mm (inch))

ICR80x





Reading field diagram

Module/Cell size in mm (inch)



Recommended accessories

Other models and accessories → www.sick.com/ICR80x

	Brief description	Type	Part no.
Mounting brackets and plates			
	Bracket with adapter board	Mounting bracket	2050023
Plug connectors and cables			
	Head A: male connector, USB-A Head B: male connector, RJ45 Cable: USB, unshielded, 2.3 m	USB cable	6028232

SICK AT A GLANCE

SICK is one of the leading manufacturers of intelligent sensors and sensor solutions for industrial applications. A unique range of products and services creates the perfect basis for controlling processes securely and efficiently, protecting individuals from accidents and preventing damage to the environment.

We have extensive experience in a wide range of industries and understand their processes and requirements. With intelligent sensors, we can deliver exactly what our customers need. In application centers in Europe, Asia and North America, system solutions are tested and optimized in accordance with customer specifications. All this makes us a reliable supplier and development partner.

Comprehensive services complete our offering: SICK LifeTime Services provide support throughout the machine life cycle and ensure safety and productivity.

For us, that is “Sensor Intelligence.”

WORLDWIDE PRESENCE:

Contacts and other locations –www.sick.com